

- **Deburring**
- **Finishing**
- **Drying**
- **Burnishing**
- **Cleaning**

Spiratron ST-1



ST-1 with Parts/Media Separation System



For research or full production, these machines will handle the load.

The Spiratron ST-1 is one tough little machine. The ST-1 is capable of turning heavy medias or gentle enough to finish soft metals. Versatility and good value are among the key benefits of the ST-1

Technical Data

Spiratron ST-1 Design Features:

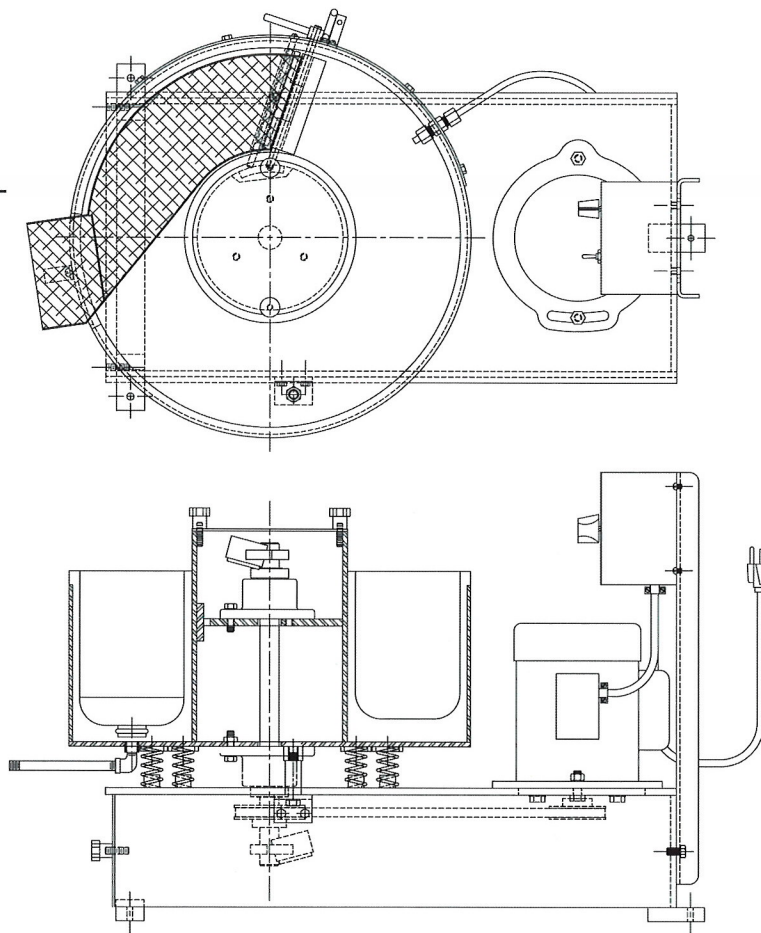
- Heavy duty, industrial quality, table top design
- Steel tub with ribbed molded polyurethane lining
- Built in tub drain
- Simple process adjustment – drop in weight segments
- Fast, aggressive or slow, gentle processing
- 0-1 hour process timer
- Integral parts and media separation system
- Various screen sizes available
- Steel ball burnishing capability
- Standard Roto-Finish 1 year warranty

Spiratron ST-1 Specifications:

- 56 frame TEFC drive, 1/3 H.P.
- 115 or 230 volts, 1 phase, 60 hertz
- Tub 21" O.D.
- Media load: Ceramic..... 85 Lbs.
Resin bonded .. 55 Lbs.
Steel balls 180 Lbs.
Cob meal..... 30 Lbs.
- 1375 VPM processing speed
- Approximate shipping weight 300 lbs.
- Process channel 5.5" wide

Options:

1. 3" media unload plug
2. Inverse separation screen
3. Flow through solution system; premix Container and pump
4. Steel fabricated table – 30"H x 24"W x 32"L



Model	(A) Length	(B) Bowl Rim Height	(C) Diameter Processing Bowl	(D) Discharge Height
ST-1	34"	18.5"	21.5"	16"



Roto-Finish Co., Inc. • 1600 Douglas Avenue • Kalamazoo, MI 49007
Phone: (269) 345-7151 • Fax: (269) 345-1710 • www.roto-finish.com